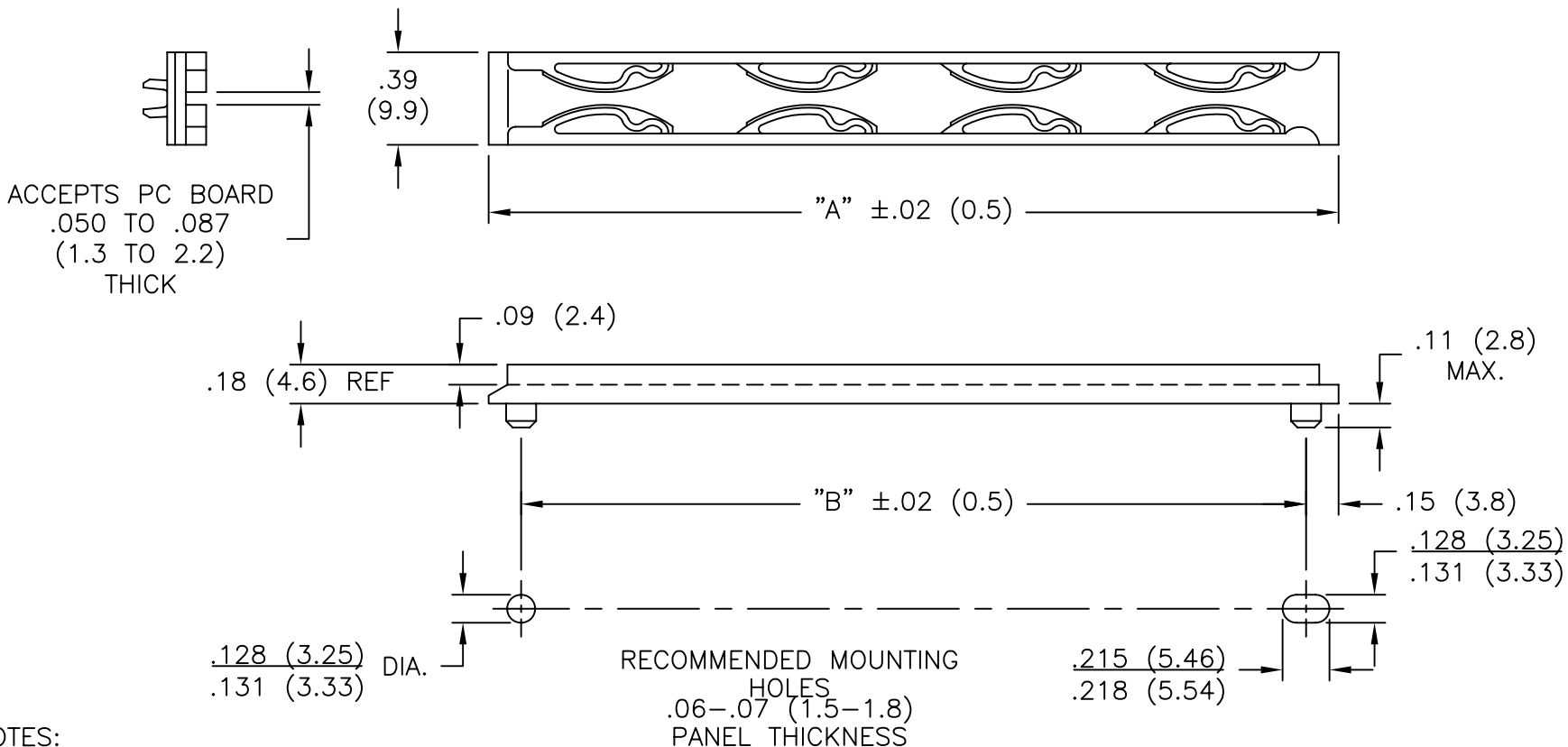


PART NO.	"A"	"B"
TRCG-2.500	2-1/2 (63.5)	2.2 (55.9)
TRCG-3.300	3.3 (83.8)	3 (76.2)
TRCG-3.925	3.93 (99.7)	3-5/8 (92.1)
TRCG-6.675	6.68 (169.6)	6-3/8 (161.9)



NOTES:
1. MAT'L: POLYCARBONATE (RMS-23)
COLOR: BLACK

<table border="1"> <tr> <td>D</td> <td>CHANGED MAX BOARD THICKNESS TO 2.2MM</td> <td>SJ 02.06.02</td> </tr> <tr> <td>C</td> <td>CHANGED FILE NUMBER</td> <td>SM 05.11.01</td> </tr> <tr> <td>B</td> <td>DIM'S PUT TO 3 PLACES; DIM. .093 REMOVED</td> <td>PB 08.18.95</td> </tr> <tr> <td>A</td> <td>RECOMMENDED MOUNTING HOLES ADDED; DIM. .128 DIA. HOLE WAS .123 DIA. HOLE; NOTE 1 ADDED</td> <td>PB 06.09.95</td> </tr> <tr> <td>REV</td> <td>DESCRIPTION</td> <td>ENGR DATE</td> </tr> </table>			D	CHANGED MAX BOARD THICKNESS TO 2.2MM	SJ 02.06.02	C	CHANGED FILE NUMBER	SM 05.11.01	B	DIM'S PUT TO 3 PLACES; DIM. .093 REMOVED	PB 08.18.95	A	RECOMMENDED MOUNTING HOLES ADDED; DIM. .128 DIA. HOLE WAS .123 DIA. HOLE; NOTE 1 ADDED	PB 06.09.95	REV	DESCRIPTION	ENGR DATE	<p>TITLE: TENSION RACK CARD GUIDE</p> <p>FILE # TRCG</p> <p>MAT'L: SEE NOTES</p> <p>RE: RICHCO, INC.</p>				<p>DWN: P.B.</p> <p>DT: 09-14-94</p> <p>DT:</p> <p>RICHCO INC. PO BOX 804238, CHICAGO, 60680 (773) 539-4060</p>		<p>DWG IN IN (MM)</p> <p>FINAL</p>		<p>PART #</p> <p>SEE TABLE</p>		<p>PRINT TYPE</p> <p>CA</p>
D	CHANGED MAX BOARD THICKNESS TO 2.2MM	SJ 02.06.02																										
C	CHANGED FILE NUMBER	SM 05.11.01																										
B	DIM'S PUT TO 3 PLACES; DIM. .093 REMOVED	PB 08.18.95																										
A	RECOMMENDED MOUNTING HOLES ADDED; DIM. .128 DIA. HOLE WAS .123 DIA. HOLE; NOTE 1 ADDED	PB 06.09.95																										
REV	DESCRIPTION	ENGR DATE																										